

VariDesk® Premier Electric Dual-Monitor

vari®



THE NEXT-GENERATION VARIDESK®

The VariDesk® Premier Electric Dual-Monitor Converter features an integrated dual-monitor mount and advanced features for maximizing desk space, stability, and ergonomic benefits.

YOUR DESK, YOUR DEVICES, ONE POWERHOUSE

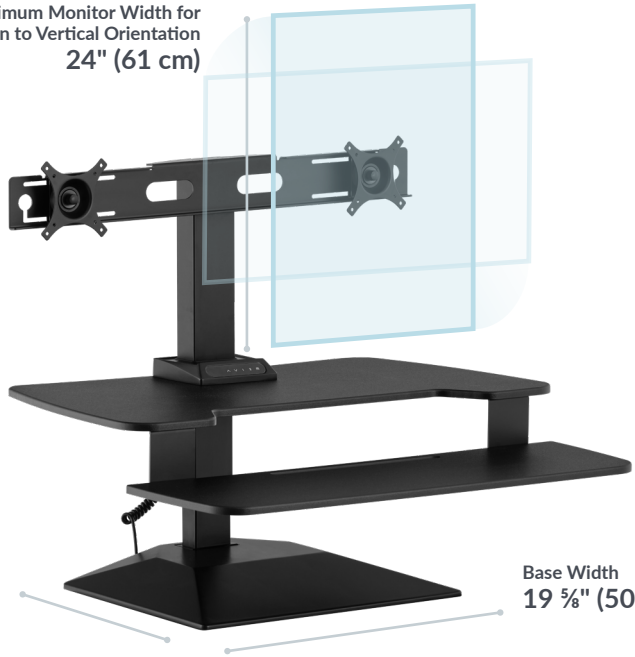
Stay productive with device-friendly features: a keyboard tray groove for cell phones or devices and integrated USB-A and USB-C ports.

DOUBLE MONITORS, SINGLE SOLUTION

Supports your monitor and accessories with a 55 lb weight capacity, one of the highest in the industry.

- Integrated Dual-Monitor Mount Fits Monitors up to 24" Wide
- Groove in Ergonomic Keyboard Tray Holds a Writing Utensil, Phone, or Tablet (<12 ½" Wide)
- Easy Controls with 2 Programmable Settings
- Drop-Stop Sensor Prevents Damage
- (1) USB-A Port and (1) USB-C Port
- Sleek, Space-Saving Design
- Whisper-Quiet Lift
- Industry-Leading Height Range
- Weighted Base for Stability at All Heights
- 55 lb Weight Capacity
- Tested to BIFMA X5.5-2021 and Meets or Exceeds BIFMA's Durability Standards for Office Furniture

Maximum Monitor Width for
Rotation to Vertical Orientation
24" (61 cm)



Base Depth
15 3/4" (40 cm)

Base Width
19 5/8" (50 cm)

Total Depth
26 3/4" (68 cm)



Desktop Minimum Depth
9 1/4" (23.5 cm)

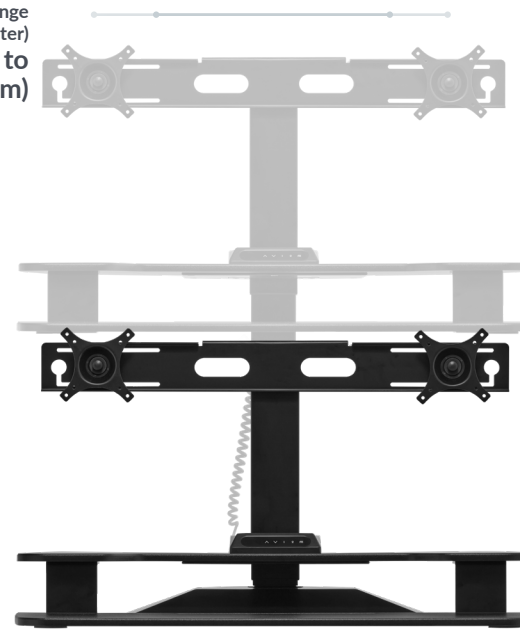
Desktop Maximum Depth
18" (45.5 cm)

Keyboard Tray Groove
12 1/2" (32 cm)

Keyboard Tray Depth
9 1/2" (24 cm)

Desktop Indentation Minimum Width
16 1/4" (41.5 cm)

Monitor Mount Separation Range
(Center to Center)
15 1/4" (38.5 cm) to
22 1/8" (56.5 cm)



Maximum Column Height
35 1/2" (90 cm)

Minimum Column Height
18 1/3" (46.5 cm)

Total Width
32" (81.5 cm)

Monitor Mounts Pivot
23° in All Directions

Height Difference
3 3/4" (9.5 cm)

Desktop Height Range
4 1/2" (11.5 cm) to
21 3/8" (55 cm)

Base Height
2 1/8" (5.5 cm)